

Optional USB Extender Mounting Options

The bottom of the enclosure features four convenient pre-drilled holes for optional mounting. Based on your requirements, choose from two available mounting options:

1. **USB Extender Mounting Kit** (Purchased separately Order Part #10-00621 USB Mounting Kit - Black)
2. **USB Extender Direct Surface Mounting** (Using your own hardware, stencil provided on page 11)

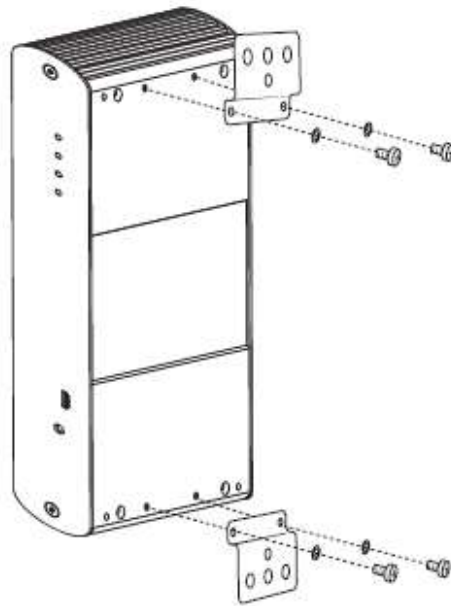
OPTION 1: USB Extender Mounting Kit

Contents:

- 2 mounting brackets
- 4 (M3) locking washers
- 4 (M3 x 10mm) Phillips screws
- Mounting bracket installation guide (*see diagram below*)

1 kit required to mount per Local Extender or Remote Extender

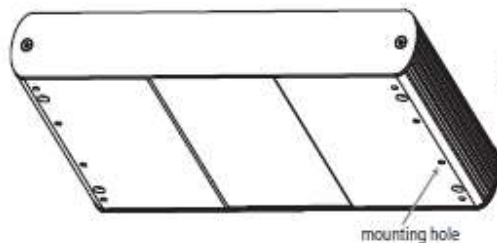
Using a Phillips screwdriver, in the order as illustrated below, fasten and secure the provided screws, locking washers and brackets into place.



Once the bracket mounting is secured onto the extender, it is ready for mounting onto a surface. Please note you will need to provide your own screws to secure the extender using the available slots on each bracket.

OPTION 2: USB Extender Direct Surface Mounting (using your own hardware)

The bottom of the enclosure features four pre-drilled holes for optional surface mounting.



Distance between the enclosure mounting holes:
42.0mm x 205.5mm

1. Mark the center point of each of the four holes on your mounting surface either by directly measuring or printing a stencil from www.icron.com/pdf/R-M-stencil.pdf.
2. Hardware recommendation: M3 locking washers and M3 screws (4 of each per extender) noting screw length will depend upon thickness of mounting surface.
3. Drill through each of the four-hole markings on the mounting surface using a 3.97mm (5/32") drill bit.
4. Align the bottom enclosure holes to the newly drilled out holes on the mounting surface.
5. Place a locking washer on each of the four screws and using a screwdriver, fasten the extender into place.

note Do not exceed a screw depth of 10mm (0.4") into the unit or damage may occur.

Direct Surface Mounting Measurement Stencil

The stencil illustration pictured below is only 50% of the original size. To access this stencil file (to scale), simply go to: www.icron.com/pdf/R-M-stencil.pdf,

