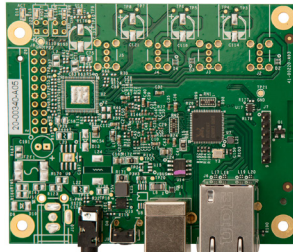


USB 2.0 RG2304 Series Turnkey

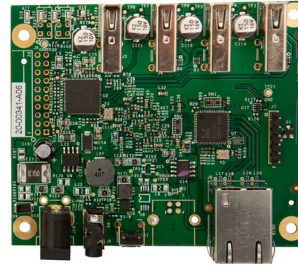
4-port USB 2.0 Extender PCBA – 100m CAT 5e/6/7 or LAN

Sold as Turnkey PCBAs

The USB 2.0 RG2304 Series offers the ExtremeUSB suite of features from Icron Technologies in a ready to go turnkey form factor; just add an enclosure. It is available as a point-to-point or LAN based extender system and features full device and host support, including newer USB 3.0 compatible devices and controllers.



Local Extender PCBA

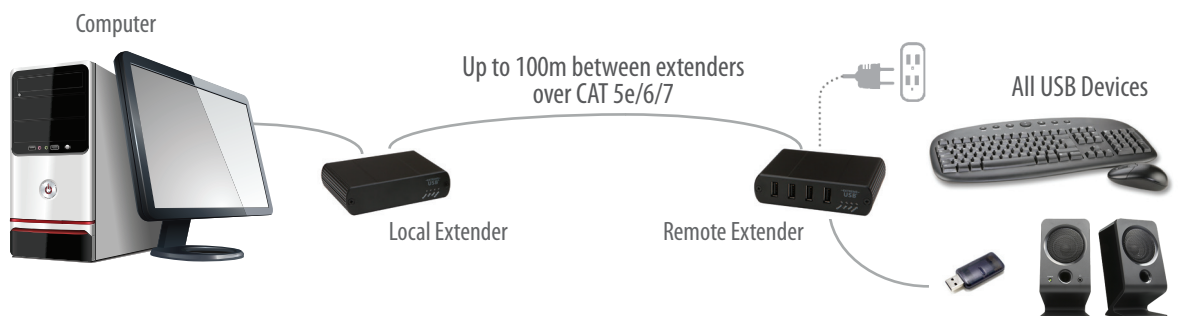


Remote Extender PCBA

FEATURES	RG2304	RG2304N	RG2304GE-LAN	RG2304S
USB 2.0 throughput up to 480 Mbps	✓	✓	✓	✓
Four USB 2.0 ports available, use hubs to add up to 30 devices	✓	✓	✓	✓
1A of current to each port, 2.5A in total	✓	✓	✓	✓
Mass Storage Acceleration of USB 2.0 device bulk transfers	✓	✓	✓	✓
Quick install, no software drivers required	✓	✓	✓	✓
Windows®, macOS™ and Linux® compatible	✓	✓	✓	✓
100m of extension over CAT 5e/6/7	✓	✓	✓	✓
Extension over LAN network		✓	✓	✓
Device Class Filtering ▶ block mass storage and other USB devices			✓	✓
SwitchableUSB™ ▶ dynamically switch Local and Remote Extender			✓	✓
Simultaneous Users Interaction ▶ simultaneously connect up to 7 Remote Extenders to the same Local Extender				✓

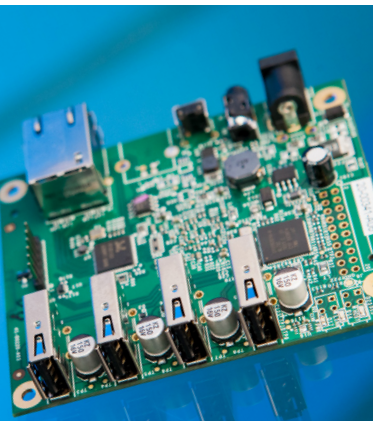
Applications

- Remote storage
- Security and monitoring
- Professional Audio-Visual
- Keyboard and mouse



Above diagram shows a CAT 5e/6/7 application with Local and Remote PCBA inside black enclosures.

USB 2.0 RG2304 Series Turnkey Specifications



RANGE

Direct Connect: Up to 100m (330 ft) over solid core CAT 5e/6/7 or LAN

USB DEVICE SUPPORT

Max USB 2.0 Throughput: Up to 480 Mbps
 Max USB 1.1 Throughput: Up to 12 Mbps
 Traffic/Device Types: All USB 2.0 /1.1 traffic and device types
 Maximum Number: Up to 30 devices

LOCAL EXTENDER

USB Connector: 1 x USB Type B Receptacle
 Link Connector: 1 x RJ45
 PCB Footprint: 85mm x 71.5mm (3.35" x 2.80")

REMOTE EXTENDER

USB Connectors: 4 x USB Type A Receptacles
 Link Connector: 1 x RJ45
 PCB Footprint: 85mm x 71.5mm (3.35" x 2.80")
 Available Current: Up to 1A to each USB port; 2.5A total shared
 Power: 24V, 2.1mm center positive barrel (default configuration)
 5V, 1.7mm center positive barrel (option available, contact your OEM representative for details)

ENVIRONMENTAL

Temperature: Operating: 0°C to 50°C (32°F to 122°F)/Storage: -20°C to 70°C (-4°F to 158°F)
 Operating Humidity: 20% to 80% relative humidity, non-condensing
 Storage Humidity: 10% to 90% relative humidity, non-condensing

COMPLIANCE

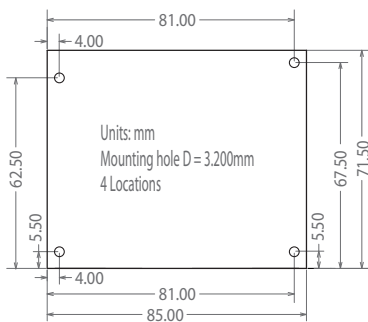
EMC:* FCC (Class B), CE (Class B)
 Environmental: RoHS2 (CE)

SUPPORT

Warranty: 2-year

* Compliance tested in RG2304 enclosure with power supply.

Local and Remote PCBA Dimensions



Ordering Information

The USB 2.0 RG2304 Series Turnkey is sold as either a Local Extender PCBA or Remote Extender PCBA in 24V (default) or 5V (optional) configurations and includes a 2-year warranty. For more information, email sales@icron.com or call +1 604 638 3920.

PART #	NAME	DESCRIPTION
02-00028	USB 2.0 RG2304 Turnkey Local Extender, 24V	1-Port USB 2.0 100m CAT 5e/6/7 Local Extender Module (PCBA without housing), 24V
02-00029	USB 2.0 RG2304 Turnkey Remote Extender, 24V	4-Port USB 2.0 100m CAT 5e/6/7 Remote Extender Module (PCBA without housing), 24V
02-00117	USB 2.0 RG2304N Turnkey Local Extender, 24V	1-Port Gigabit Ethernet LAN Local Extender Module (PCBA without housing), 24V
02-00118	USB 2.0 RG2304N Turnkey Remote Extender, 24V	4-Port Gigabit Ethernet LAN Remote Extender Module, (PCBA without housing), 24V
02-00030	USB 2.0 RG2304GE-LAN Turnkey Local Extender, 24V	1-Port Gigabit Ethernet LAN Local Extender Module with SwitchableUSB (PCBA without housing), 24V
02-00031	USB 2.0 RG2304GE-LAN Turnkey Remote Extender, 24V	4-Port Gigabit Ethernet LAN Remote Extender Module with SwitchableUSB (PCBA without housing), 24V
02-00149	USB 2.0 RG2304S Turnkey Local Extender, 24V	1-Port Gigabit Ethernet LAN Local Extender Module, with Simultaneous Users Interaction (PCBA without housing), 24V
02-00150	USB 2.0 RG2304S Turnkey Remote Extender, 24V	4-Port Gigabit Ethernet LAN Remote Extender Module, with Simultaneous Users Interaction (PCBA without housing), 24V
21-00110	24V 1A Power Adapter	24V 1A DC output, 100-240VAC input Level VI power supply with 2.1mm (ID) plug, and IEC320-C7/C8 2-pin connector ▶ A power cord for your region is also required and may be purchased as an accessory